

SF1

HIGH PERFORMANCES, COMPACT DIMENSIONS

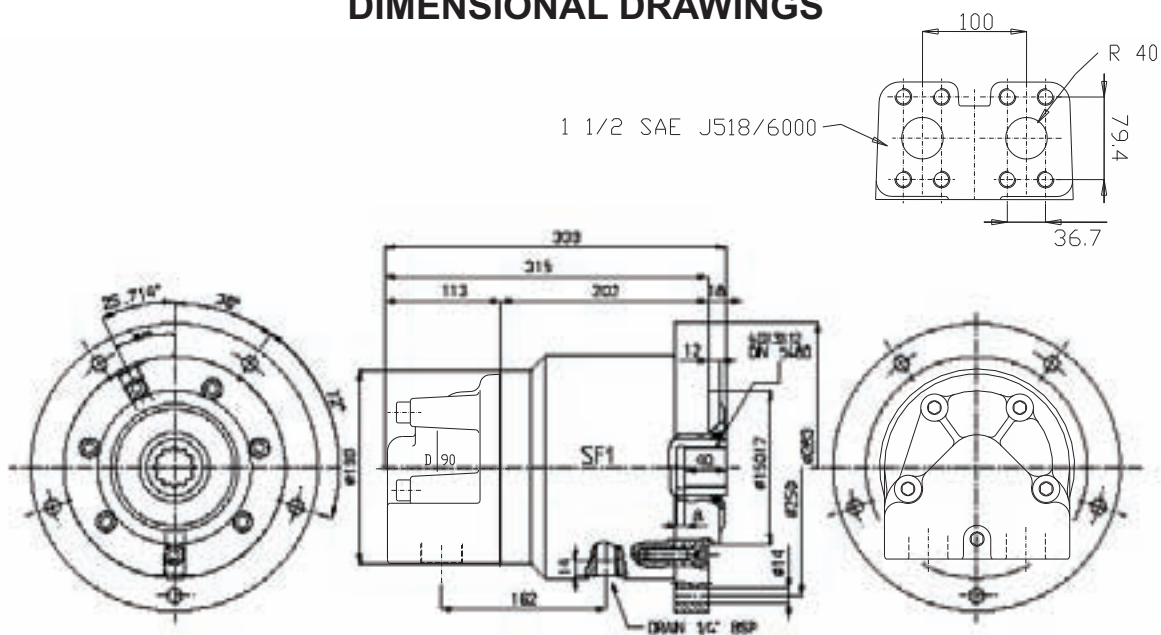


AVAILABLE DISPLACEMENT: 200 [cc/rev];
OTHER DISPLACEMENTS ARE UNDER DEVELOPMENT

MAIN CHARACTERISTICS

1. SEVEN PISTONS' INTERNAL STRUCTURE
2. COMPACT DIMENSIONS
3. GREAT CONSTANCY IN THE OUTPUT TORQUE
4. HIGH SPEED, UP TO 1500 [rpm]

DIMENSIONAL DRAWINGS



Note:SAE Flange available on request